

MC008S ON-OFF Function / Standard Version



Introduction

- Automatic switching based on motion and light level.
- Compact size makes it suitable to fix within most luminaires.
- 4-pole press-in terminal (L, N, N, L'), easy assembly.
- Detection area, time delay and daylight threshold can be precisely set via DIP switch.
- Wide detection area, range up to 16m in diameter.

MC008S is an innovative and active motion detector with HF system 5.8GHz. Motion can be detected through plastic, glass and thin non-metal materials.

The sensor supplies a simple energy-saving solution to use light only when and where you need it. It automatically switches on/off light based on motion and ambient light level. Can control all kinds of lamps, for example, halogen, fluorescent and LED lights. Compact size and small casing, suitable to fix within most luminaires. 4-pole press-in terminal (L, N, N, L'), very easy to install.

The high quality relay is particularly suitable for commercial use with switching power up to 400W for LEDs and fluorescent lamps and up to 800W for incandescent lamps.



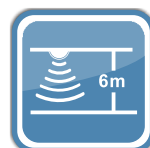
Max.8M



Light Sensor



Hold Time
10s~30min



Mounting Height
6m Max.



Automatic
On/Off



5 Years
Guarantee

ON -OFF Function

Motion sensor MC008S + LED driver or ballast (Any brand)

MC008S is an innovative motion sensor, switch on the light on detection of movement, and switch off after a hold time when there is no motion detected. As built-in daylight sensor can read brightness value, the sensor does not switch on the light if with sufficient natural light.



With sufficient light, the lamp doesn't switch on.

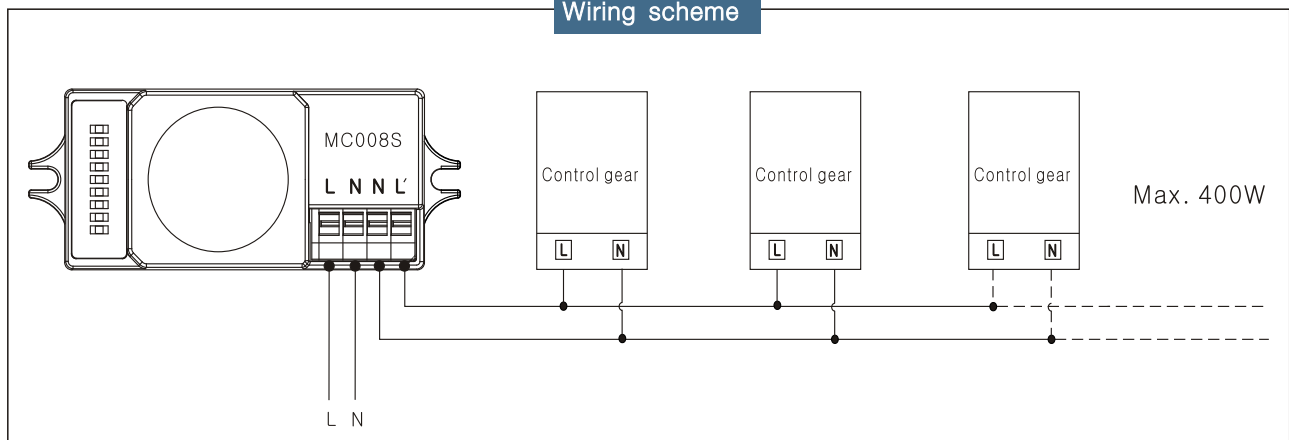


Motion detected, the sensor switches on the lamp.

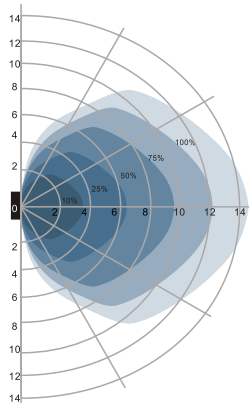


After hold time, the sensor switches off the lamp when no motion is detected.

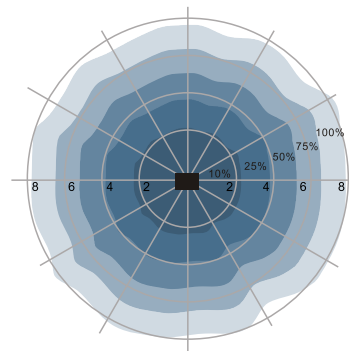
Wiring scheme



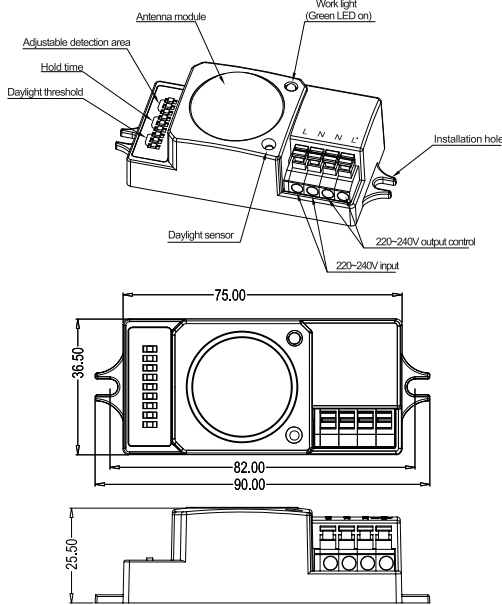
Detection Pattern



Wall mounting pattern (Unit: m)
Suggested installation height: 1-1.8m



Ceiling mounting pattern (Unit: m)
Suggested installation height: 2.5-6m



MC008S	
Operating voltage	220~240Vac, 50Hz
Rated load	400W(Inductive), 800W (resistive)
HF system	5.8GHz±75MHz, ISM wave band
Transmitting power	<0.5mW
Power consumption	≤0.5W(standby), <1W(operation)
Detection zone	Max.(D x H): 16m x 6m
Detection sensitivity	10% / 25% / 50% / 75% / 100%
Hold time	10s / 30s / 90s / 3min / 20min / 30min
Daylight sensor	5lux / 10lux / 30lux / 50lux / Disable
Mounting height	6m Max.
Motion detection	0.5~3m/s
Detection angle	150°(wall installation) 360°(ceiling installation)
Operating temperature	-20℃ ~60℃
IP rating	IP20

Setting

By selecting the combination on the DIP switch, sensor data can be precisely set for each specific application.

ON	1	2	3	
I	●	●	●	100%
II	○	●	●	75%
III	●	○	●	50%
IV	○	○	●	25%
V	○	○	○	10%
OFF				

Detection area

Detection area can be reduced by selecting the combination on the DIP switches to fit precisely each application.

ON	1	2	3	
I	●	●	●	10s
II	○	●	●	30s
III	●	○	●	90s
IV	○	○	●	3min
V	●	●	○	20min
VI	○	○	○	30min
OFF				

Hold time

Refers to the time period the lamp remains at 100% illumination after no motion detected.

ON	1	2	3	
I	●	●	●	Disable
II	●	●	○	50lux
III	○	●	○	30lux
IV	●	○	○	10lux
V	○	○	○	5lux
OFF				

Daylight sensor

The sensor can be set to only allow the lamp to illuminate below a defined ambient brightness threshold.

When set to Disable mode, the daylight sensor will switch on the lamp when motion is detected regardless of ambient light level.
50lux, 30lux: twilight operation, 10lux, 5lux: darkness operation only.