

MS02 Daylight Switch



Introduction

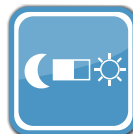
- Automatically turn on lights at dusk and off at dawn.
- Save energy by reducing light fixture operating time.
- Exactly distinguish sunlight and LED light and can be built-in LED lighting fixtures.
- Super compact size make it is suitable to be fixed in small fittings.
- Adjustable switching On/Off ambient light level.

MS02 is a patent daylight sensor switch. It automatically switches on lights at dusk to stay illuminating continuously through the night. And, switch off lights at dawn.

Normally, such daylight sensor cannot be installed towards LED light as it will be disturbed by LED light. Merrytek MS02 adopts 2pcs photodiodes and appropriate programming to distinguish sunlight and LED light, then can be built in LED lighting fixtures.



Distinguish LED light/natural light



Dusk-to-dawn switching



Super compact design



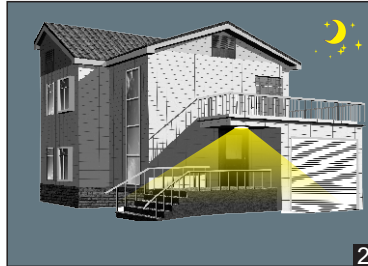
5 Years Guarantee

Dusk-to-dawn Switching

MS02 is suitable to built-in all type of LED lighting fixture and switches on/off lights till dusk to dawn.



1 Automatically turn on the light at dusk.



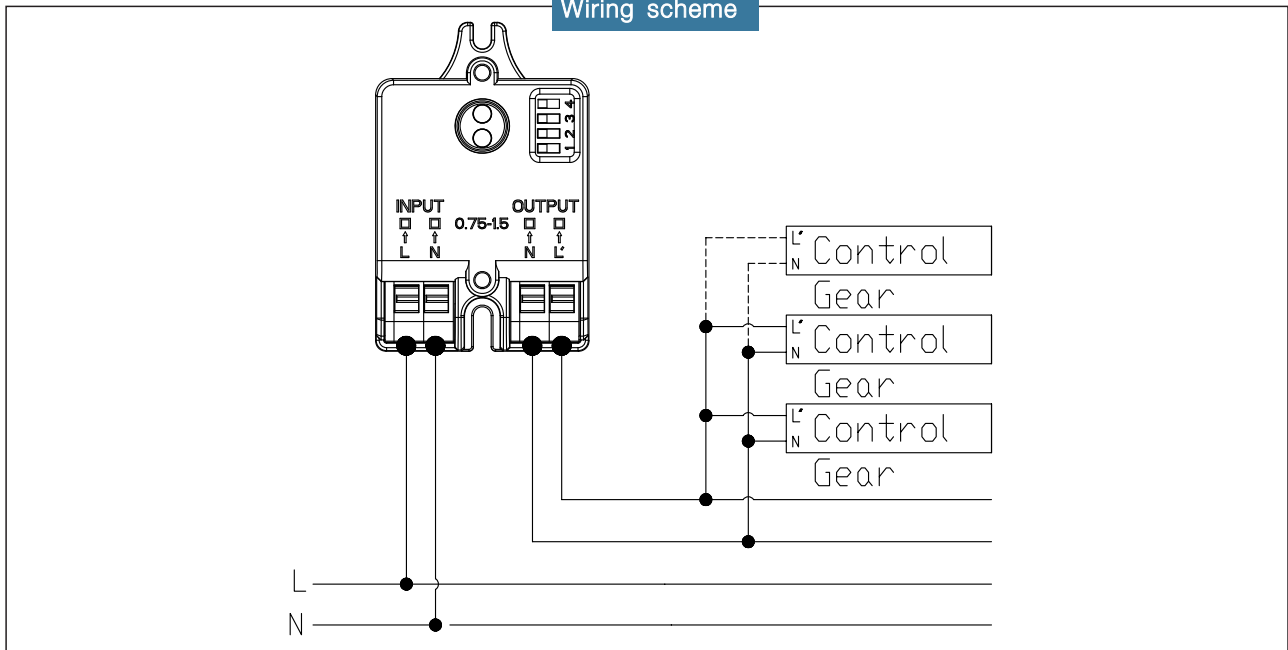
2 Stay illuminating continuously through the night.



3 Switch off the light at dawn

Note: As MS02 is designed for LED lighting fixtures, it not applicable to tungsten and halogen lamp. Actually effects when built in fluorescent fixtures should be re-testing.

Wiring scheme



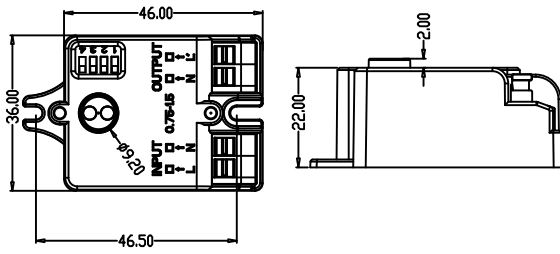
Setting

By selecting the combination of the DIP switches, switching ON/OFF lux level can be set as requirement.

	1	2	3	4	open	close
I	ON	ON	ON	ON	5Lux	25Lux
II	ON	ON	ON	-	10Lux	50Lux
III	ON	ON	-	ON	25Lux	75Lux
IV	ON	ON	-	-	50Lux	100Lux
V	ON	-	ON	-	100Lux	200Lux
VI	ON	-	-	-	150Lux	300Lux
VII	-	ON	-	-	200Lux	400Lux
VIII	-	-	-	-	-	Disable

Night/Light Sensor Function

When ambient light level is below open lux level, sensor automatically switches on lights at 100% brightness. When ambient light level is over close lux level, it switches off lights.



MS02

Operating Voltage	220-240Vac
Rated Power	400W
Open/close	5lux/25lux, 10lux/50lux, 25lux/75lux, 50lux/100lux, 100lux/200lux, 150lux/300lux, 200lux/400lux.
Operating Temperature	-20 °C ~50 °C
IP rating	IP20